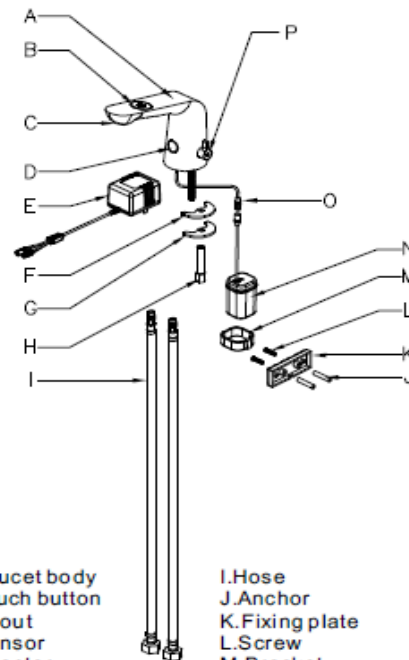
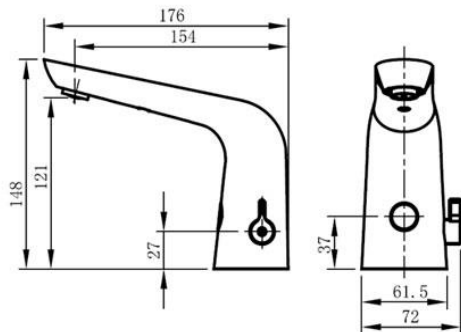




Brand : TCK, China
 Name : Infra-red sensor basin faucet
 Item Code : 201LT21 AC/DC
 Designer :
 Color / Finish: Chrome
 Dimensions : 159mm H. x 164 spout projection

Product info:

- Infra-red sensor basin water mixer with temperature adjustable knob, with TOUCH on/off for continuous flow
- Power Supply: DC 6V
- Flow rate: 7 l/min. at 3 bar
- Flow pressure: 1~5 bar (15~70 psi)
- 2 x B401481 angle valve with filter 1/2
- 54.10600 hose 1/2 x 14"



- | | |
|------------------|-------------------------------|
| A. Faucet body | I. Hose |
| B. Touch button | J. Anchor |
| C. Spout | K. Fixing plate |
| D. Sensor | L. Screw |
| E. Adaptor | M. Bracket |
| F. Rubber gasket | N. Battery case |
| G. SS gasket | O. Power cable |
| H. Nut | P. Temperature control handle |

Flushing of pipe must be done before fittings are installed. Failure to do so voids the warranty.

Follow cleaning instructions and avoid using any harmful chemicals.

All information is for reference only. Installation shall always be based on the specs provided with actual delivered items.

For more info, visit www.sanitecph.com